

HMG

skate park equipment

skate-park



inline - skateboard - bmx

skate technology



A - steel construction

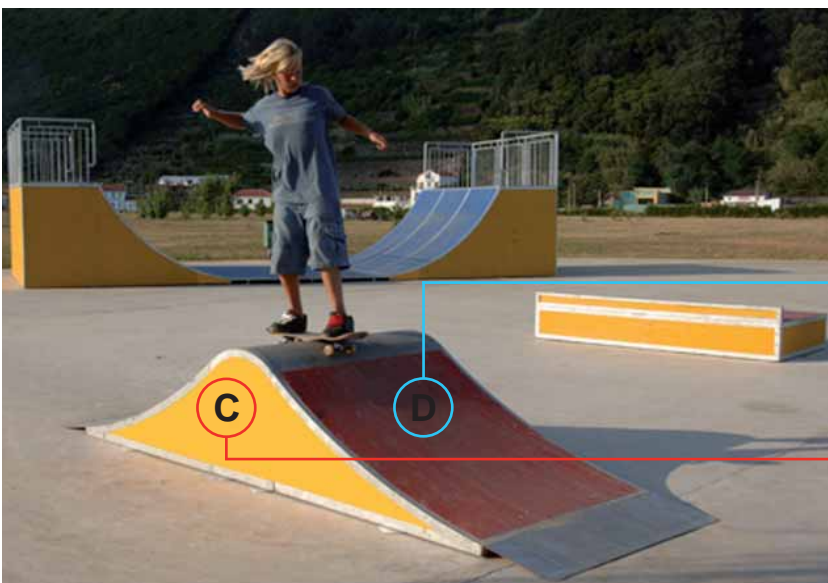
Hot-dip galvanized steel tube construction manufactured in a modular system allowing for easy modification and expansion.

B - safety railing

„free grind“ safety railings.

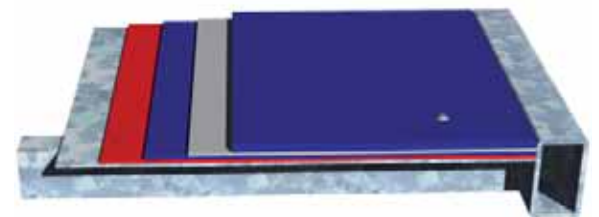
E - approaching plates

3mm pre-formed stainless steel plates.



Only high-quality and highly resistant materials are used in the production of our skate park equipment. No compromise is made, ensuring long-lasting and safe use.

skating surface



D - GRP

10mm reinforced fibreglass boards in all RAL colours
double noise protection layer with vibration absorber

C - site skirts

8mm reinforced fibreglass boards in all RAL colours

Skate park planning

70 million skateboarders, inliners and BMX riders in Europe have converted a vogue into a mainstream sport.

We can plan your skate park using the latest computer technologies backed by years of experience and personal consultation.

Our skate parks are built and tested to the latest requirements of the EN14974 safety standards for skate equipment.



Models

Obstacles

such as rails and curbs are very popular training ramps copied from street obstacles. They are particularly suitable for grinding and ollies and are a standard feature.



Fun-Box

One of the most important aspects of a skate-facility, the various Fun-Boxes create and define the core of a good skate park.



Ramp`s

Generally positioned towards the exterior to produce the necessary speed for obstacles or fun boxes. Banks and quarters are also used for simple tricks.



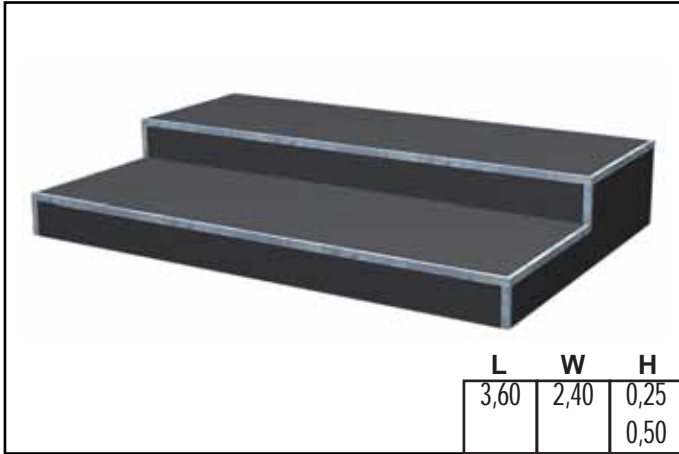
Half-Pipes

We can offer the right half-pipes for competition or training purpose, or just for fun. New designs trends and combinations with "street" elements have been developed.

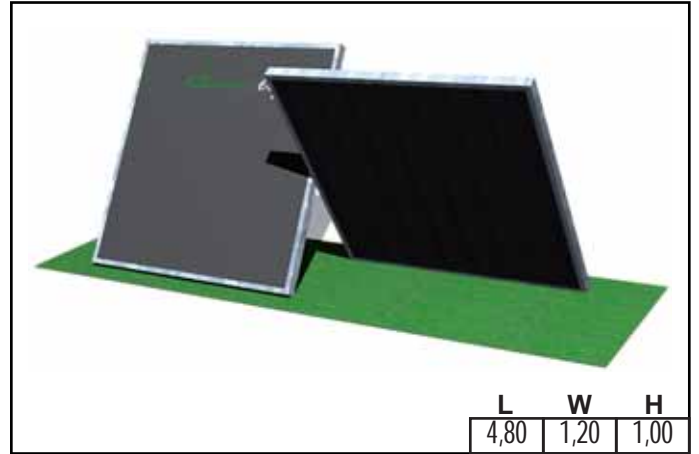
Excellent solutions are available even for small spaces.

Obstacles

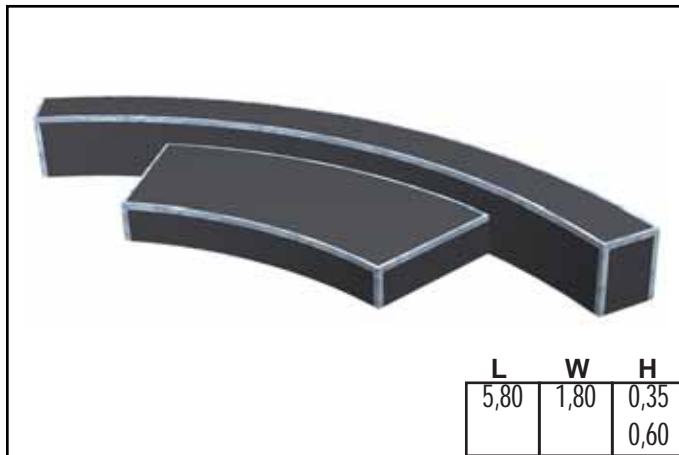
Ollie-Box



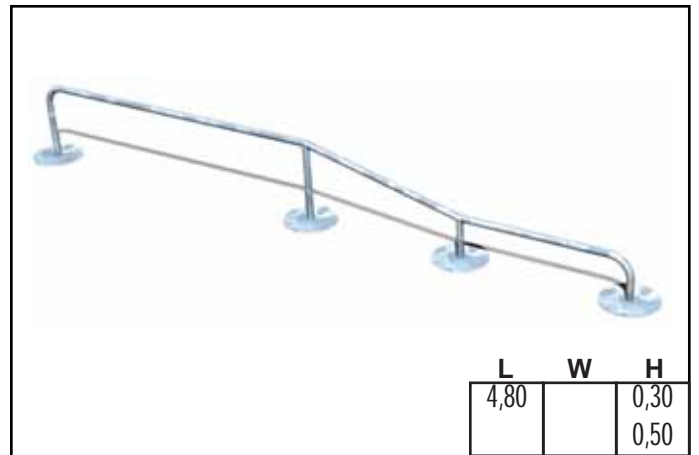
X-treme



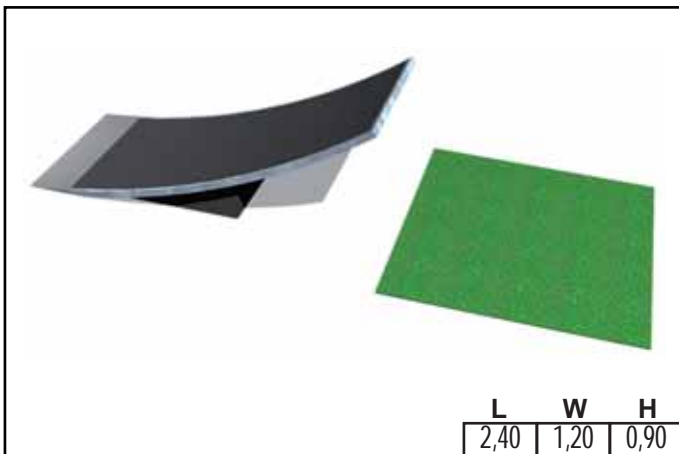
Rounded curb



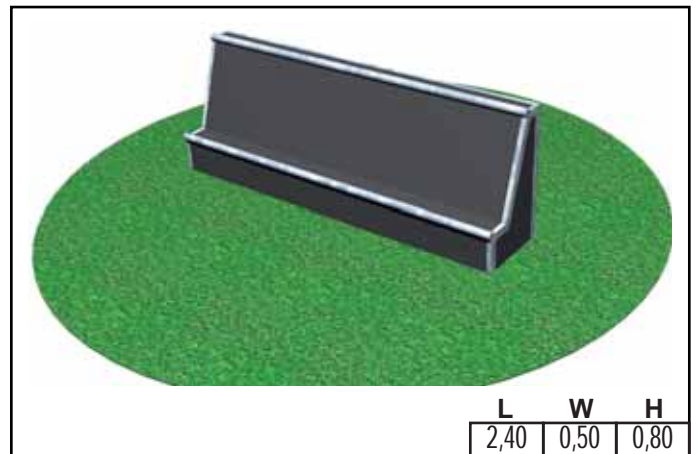
Rail B



Kicker

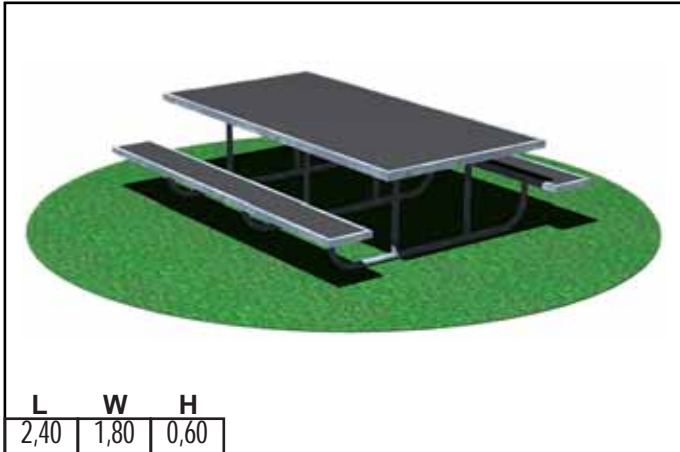


Barrier

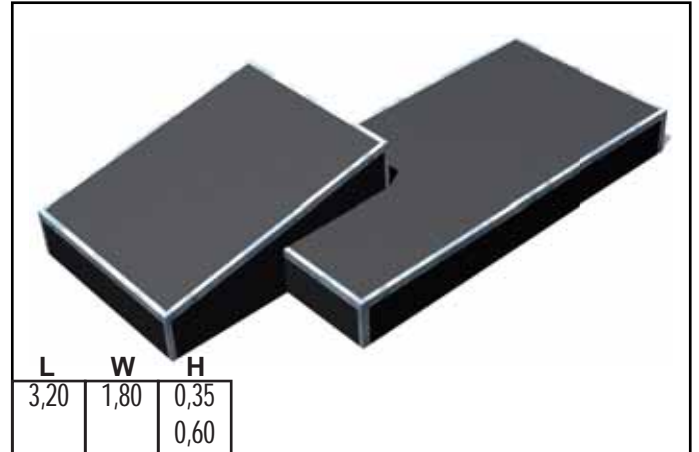


urban street furniture

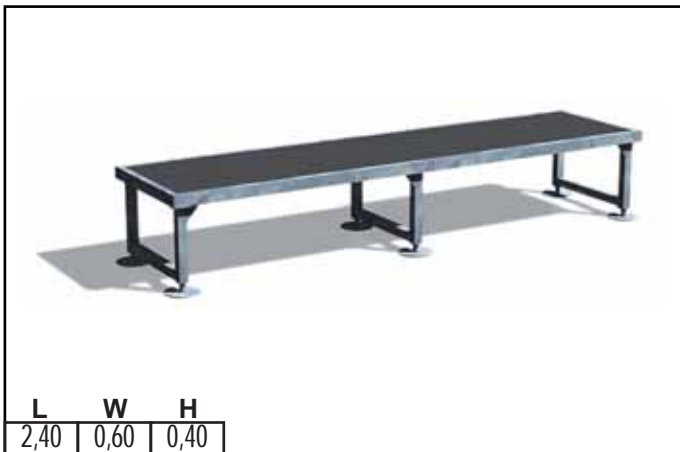
Picnic table



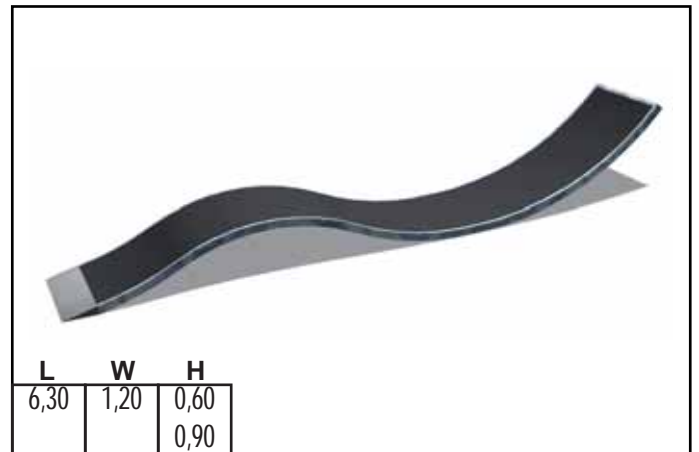
manual Bad



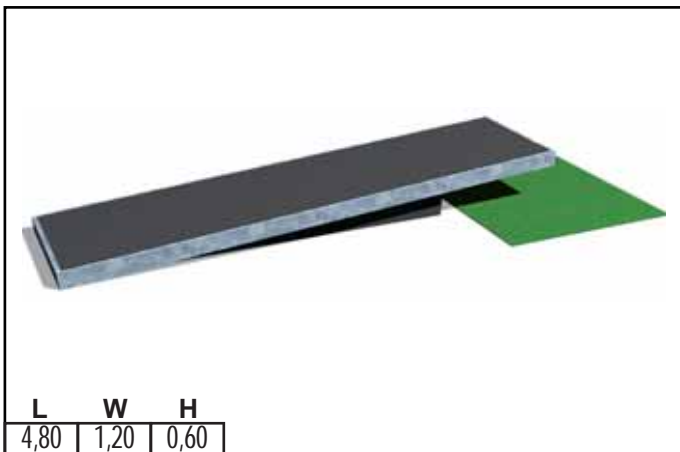
Bench



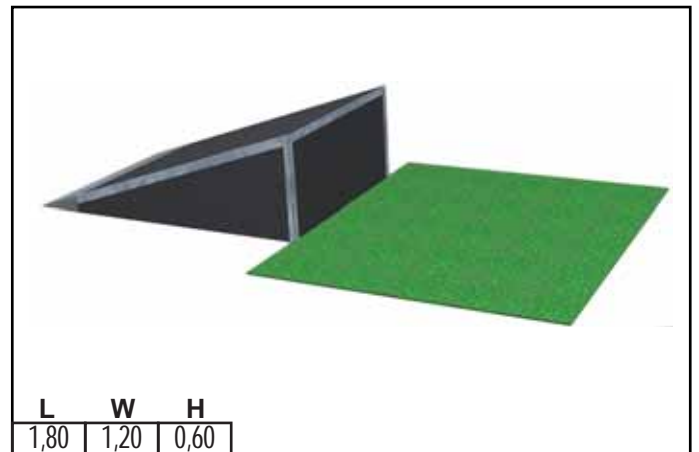
new Wave



Manual bad II

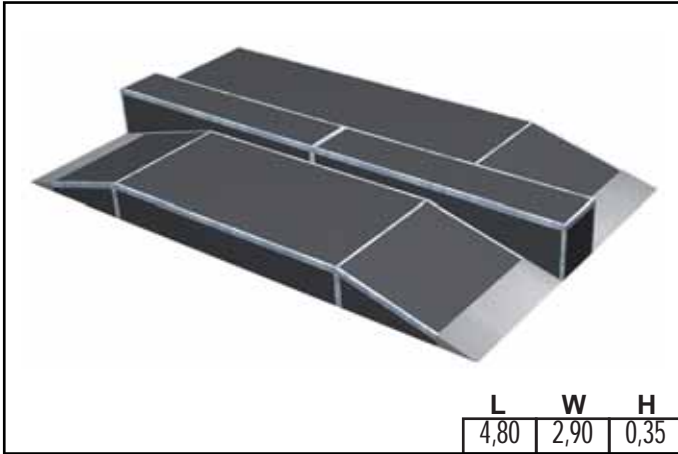


Bank

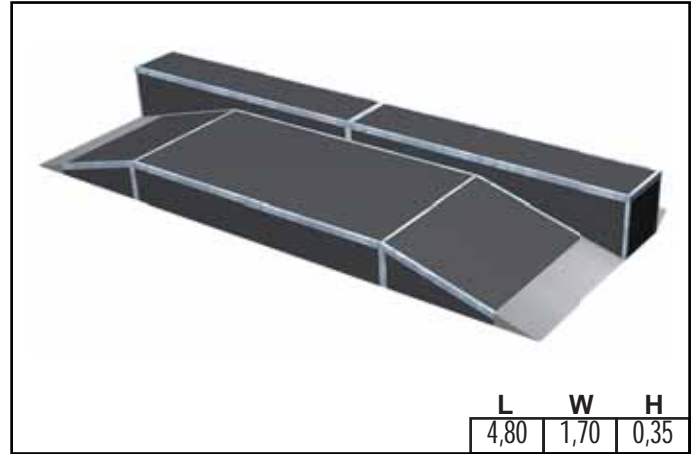


Fun-Box

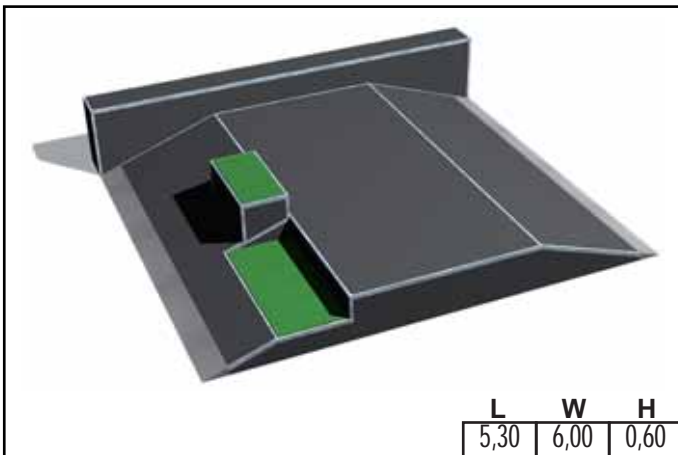
Launch-Box VI



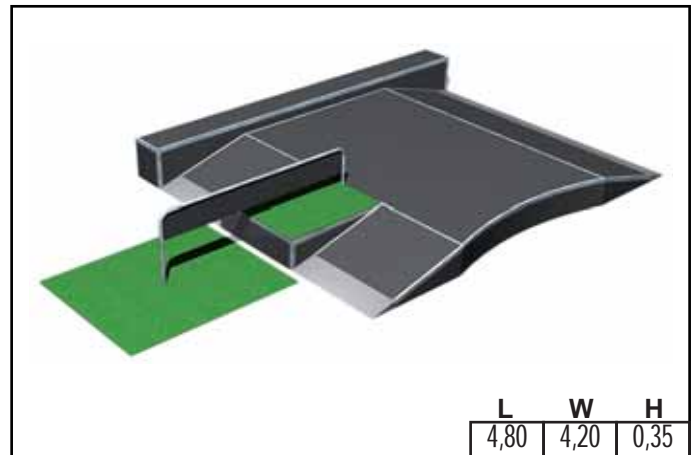
Launch-Box II



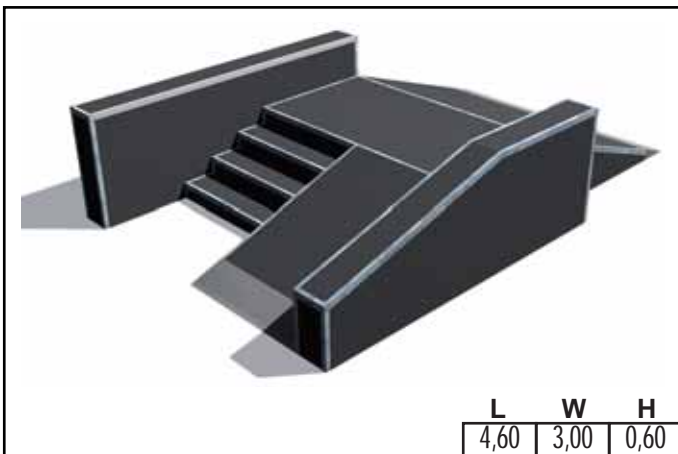
Custom 2



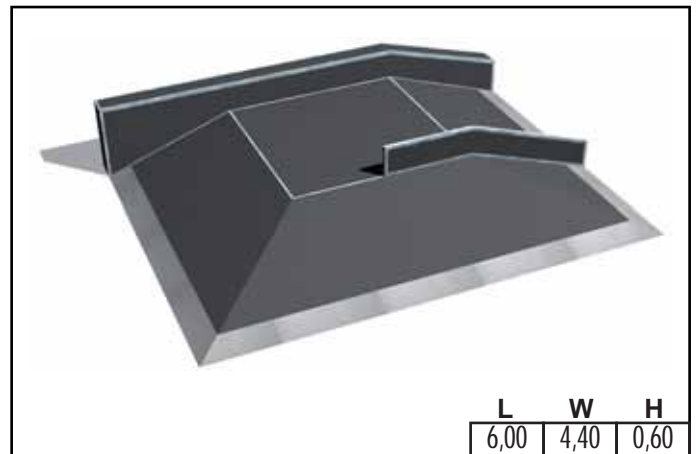
Fun-Box_Rail_Curb



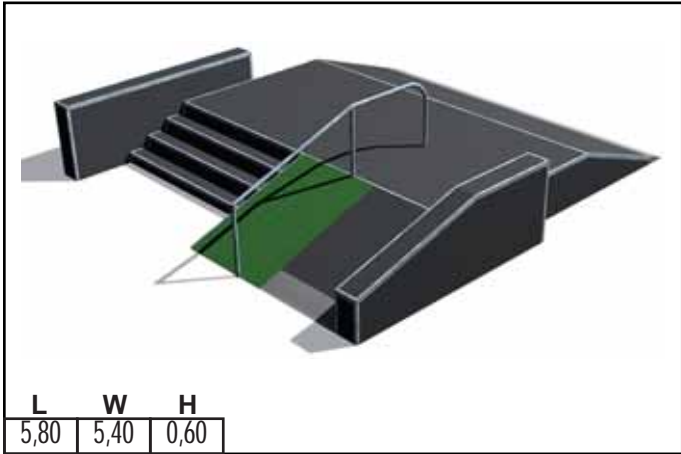
Fly over



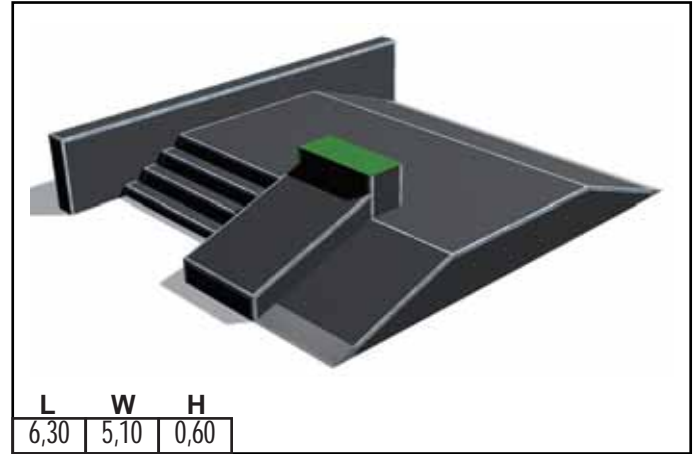
Pyramid



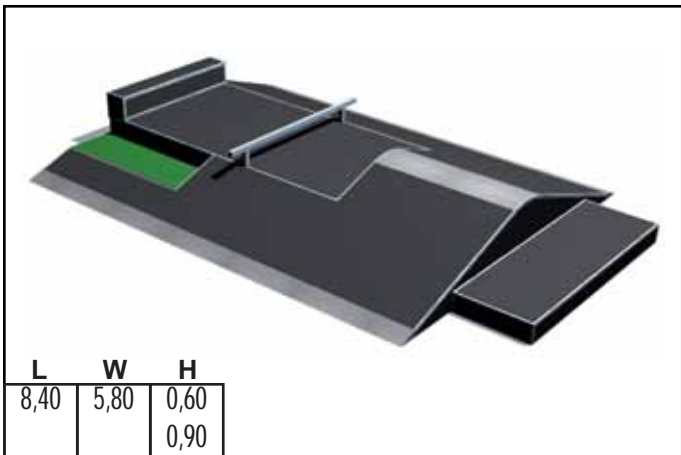
Model 1



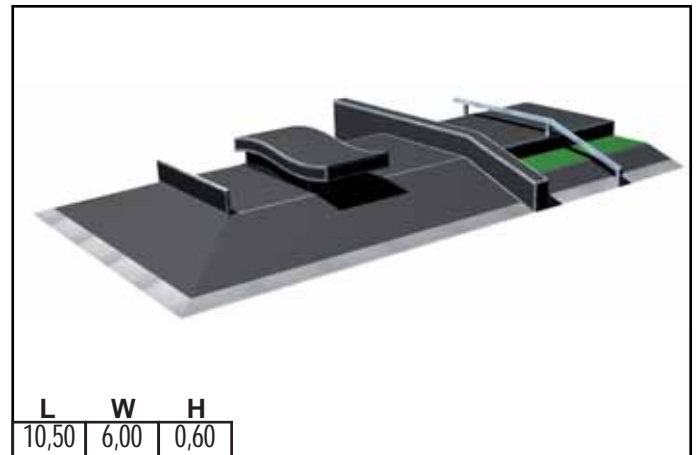
Model 2



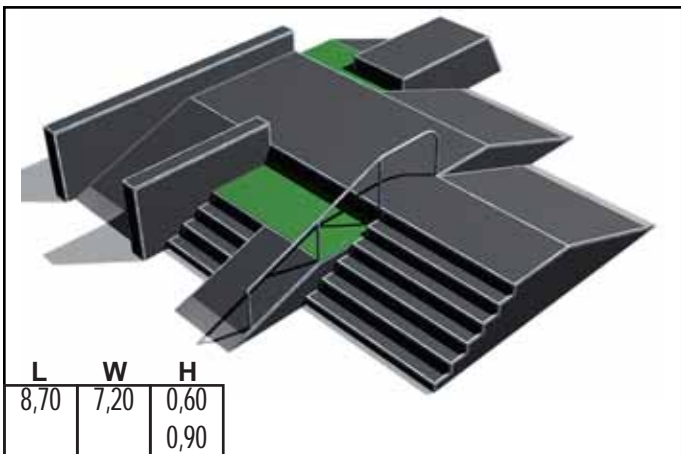
Model 3



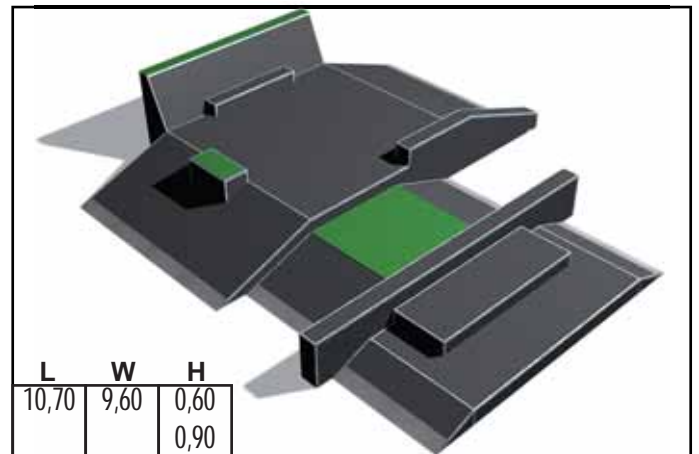
Model 4



Model 5



Model 6



Ramps

Roll-In Ramp



Quarter-Pipe



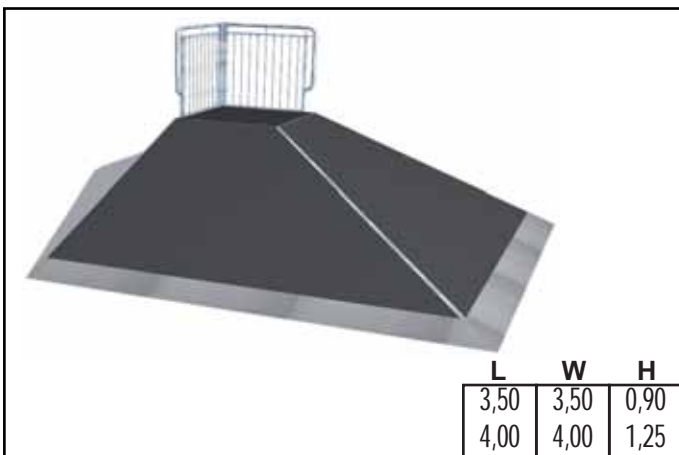
Quarter-Bank-Quarter



Bank



Corner-Bank



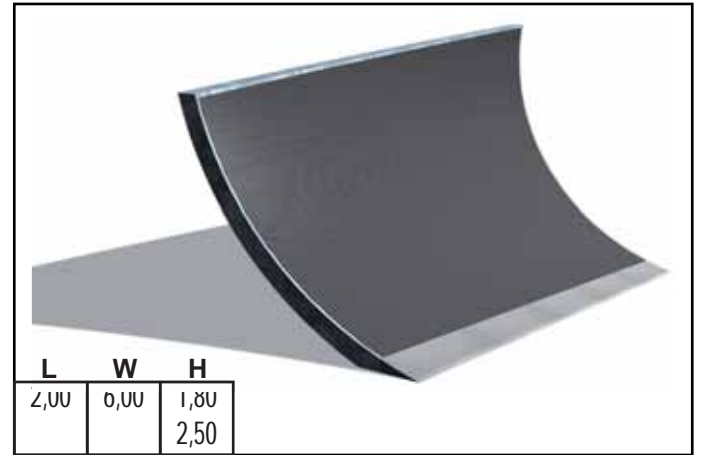
Corner-Ramp



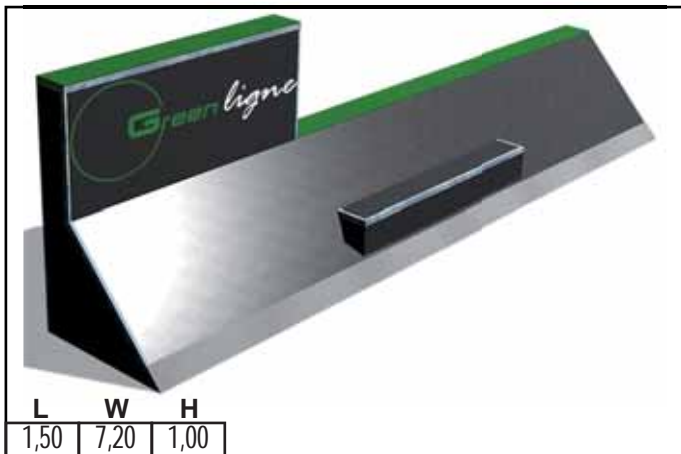
Quarter-wall ride



Big Wave



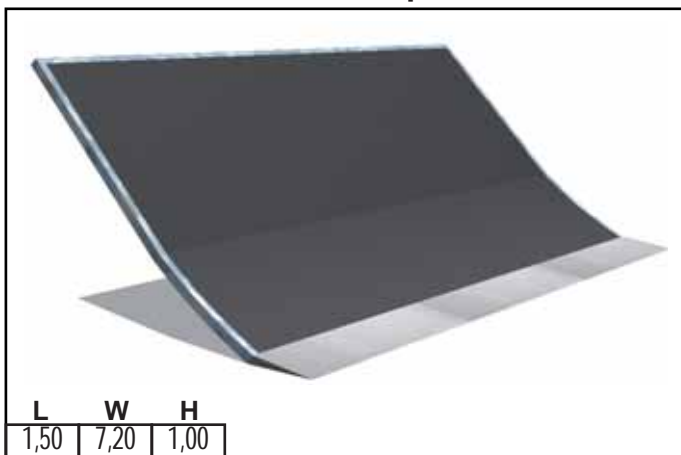
China Bank



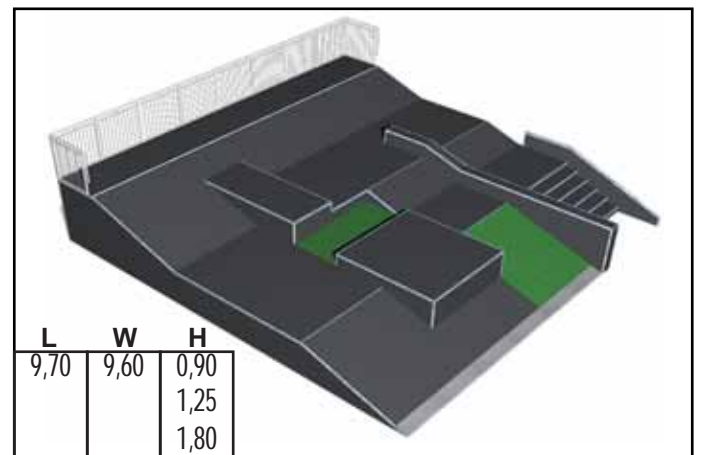
Quarter-Pipe_Hip



Wall Ramp

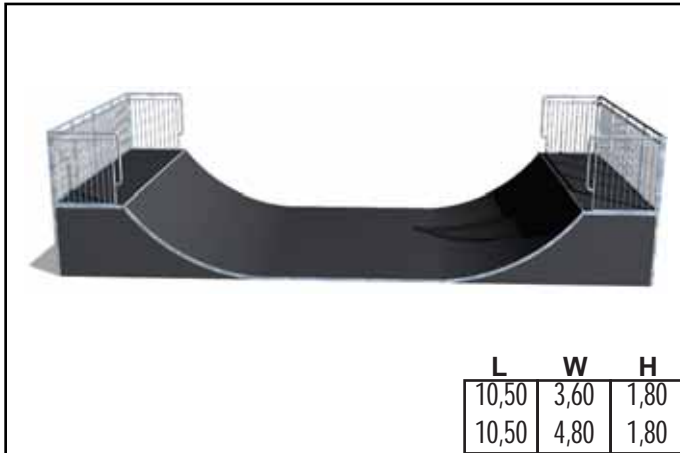


Plaza Bank

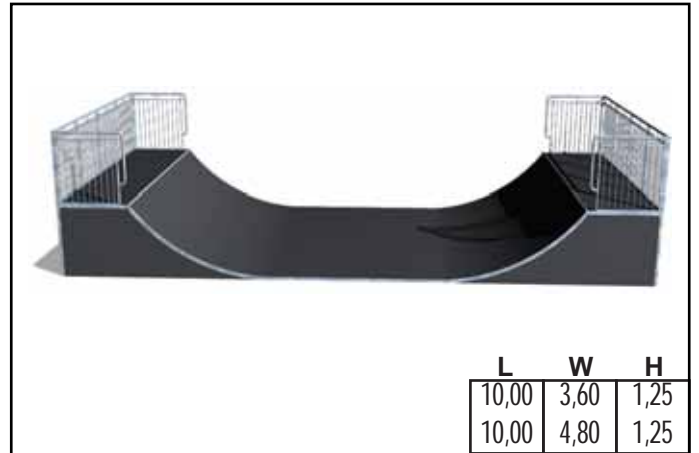


Half-Pipes

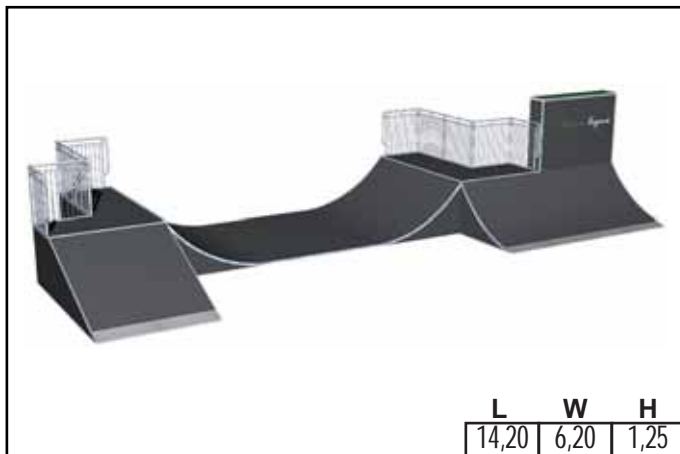
Midi-Pipe



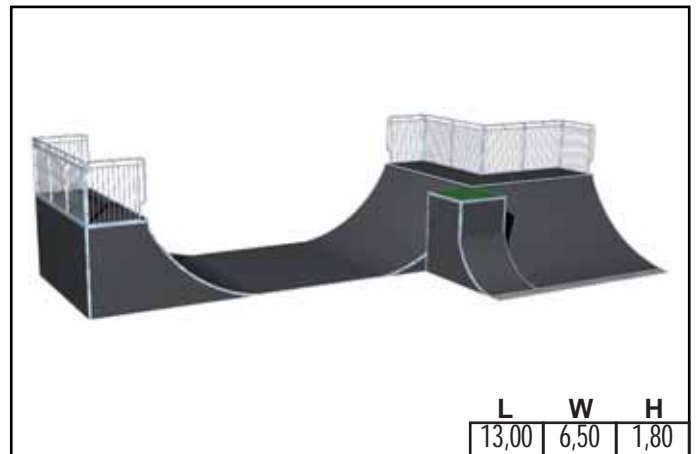
Mini-Pipe



Kombi-Pipe II



Kombi-Pipe



Competition-Pipe

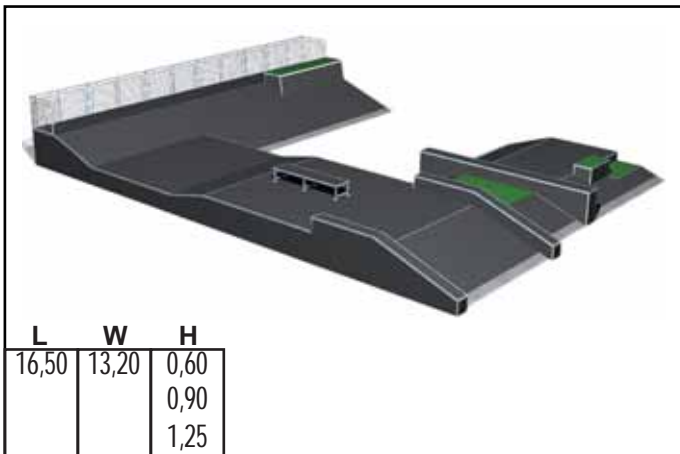


Half-Pipe

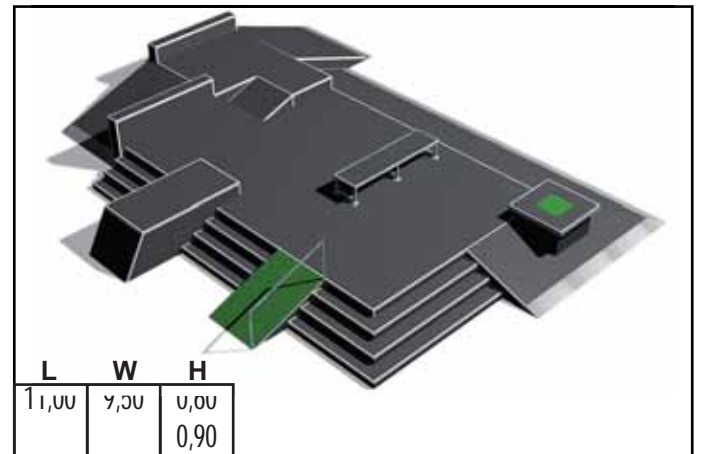


Plazas

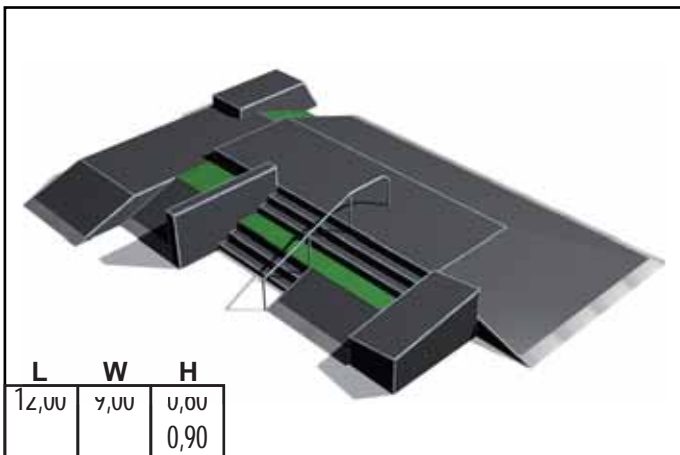
P1



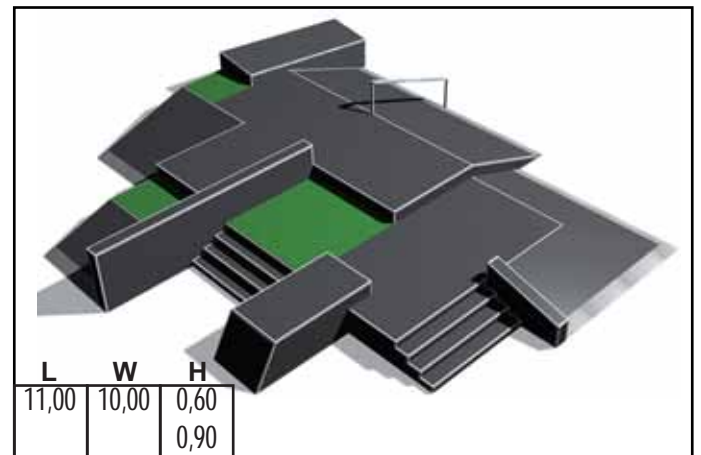
P2



P3



P4





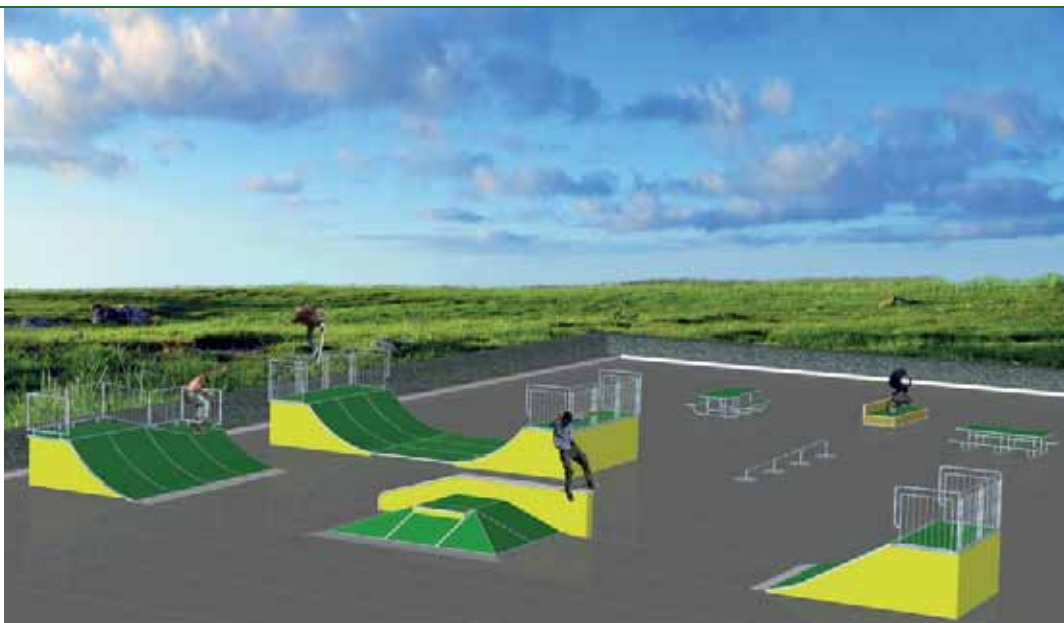
skate park N° 1

L	W	m ²
25	15	375



skate park N° 2

L	W	m ²
25	16	400



skate park N° 3

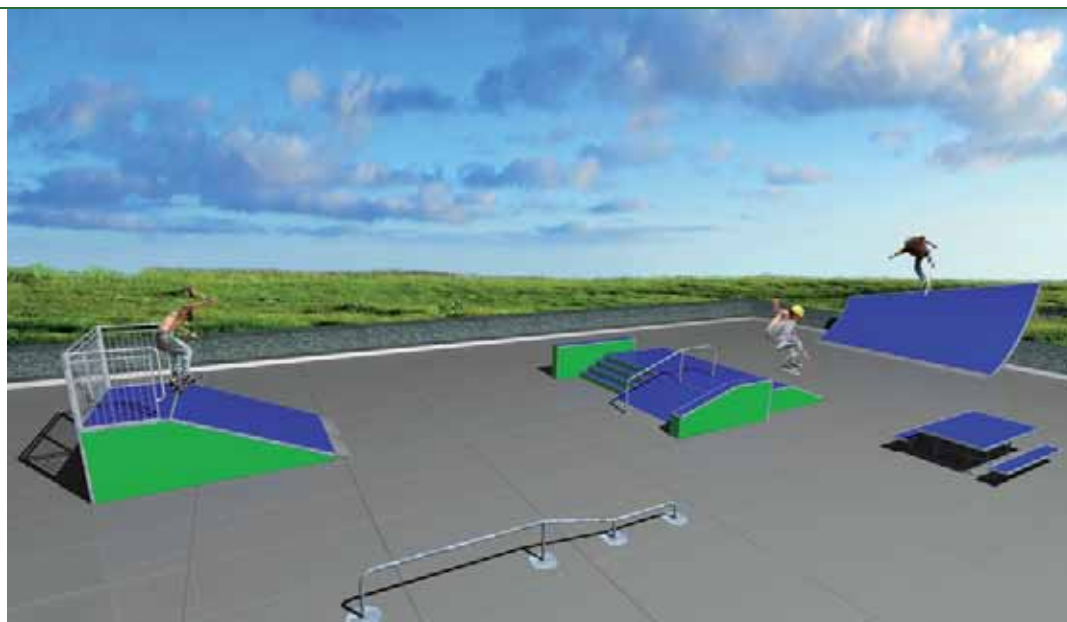
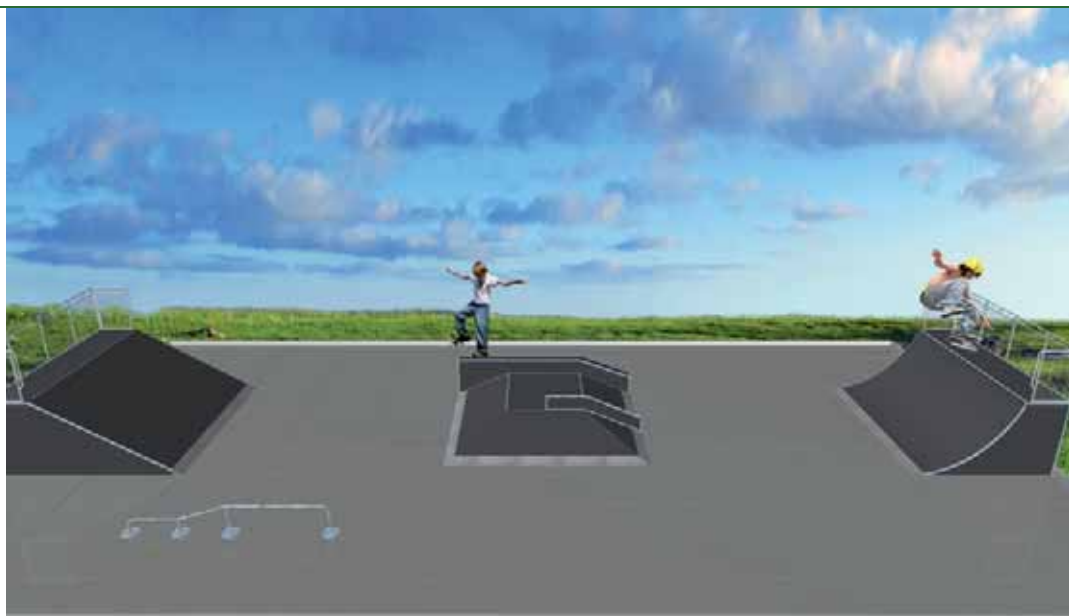
L	W	m ²
30	25	750





skate park N° 4

L	W	m ²
25	15	375



skate park N° 5

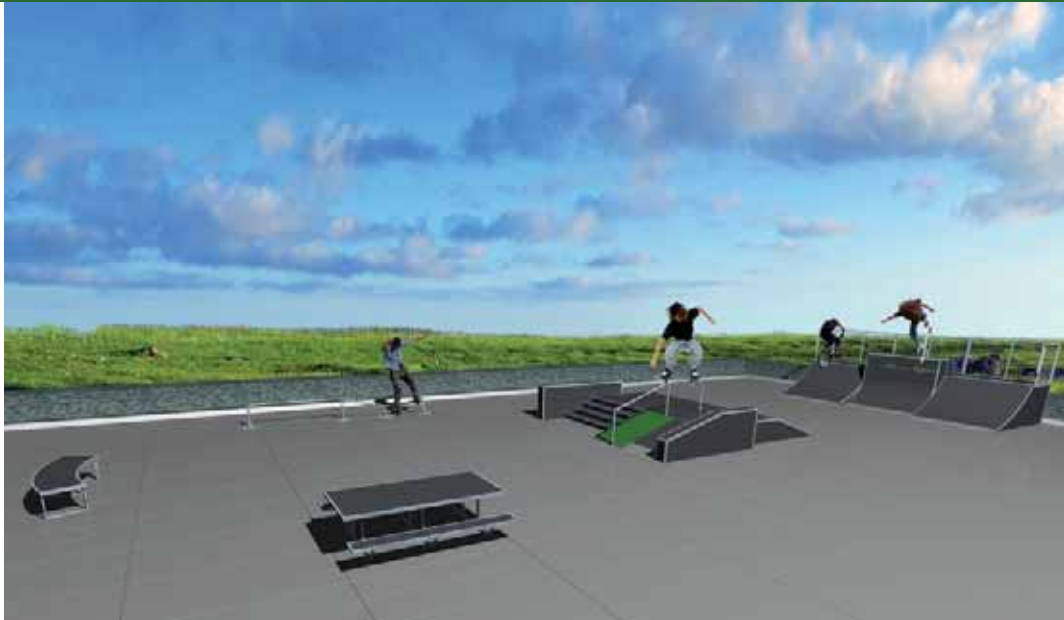
L	W	m ²
30	20	600



skate park N° 6

L	W	m ²
15	20	300





skate park N° 7

L	W	m ²
40	20	800



skate park N° 8

L	W	m ²
30	20	600



skate park N° 9

L	W	m ²
40	30	1200



skate park N° 10

L	W	m ²
30	30	900



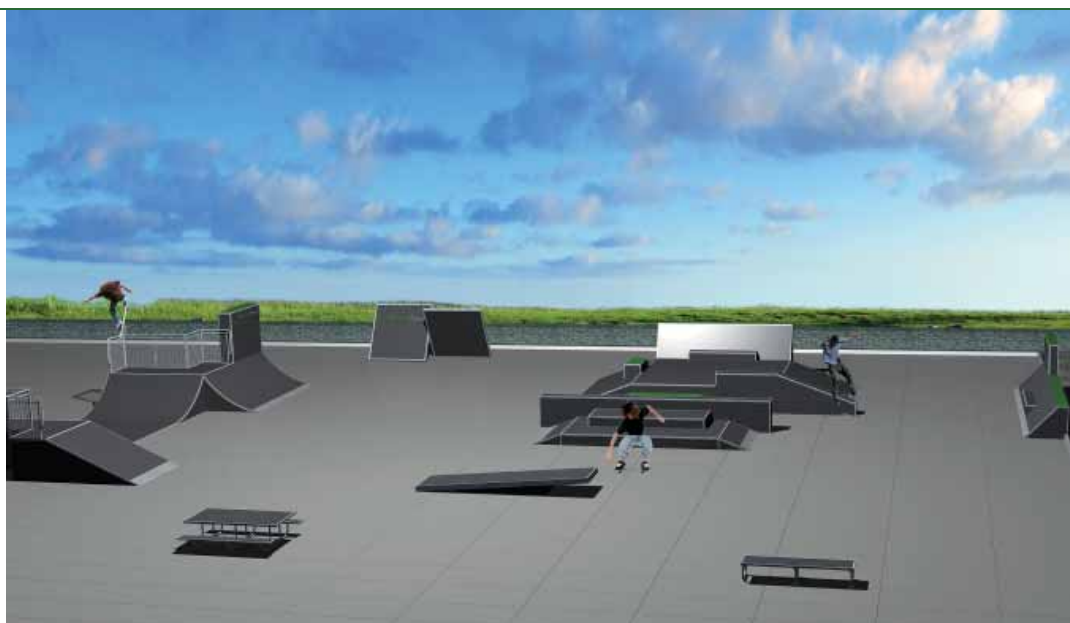
skate park N° 11

L	W	m ²
60	30	1800



skate park N° 12

L	W	m ²
35	30	1050





AUSTRIA

HMG sports-systems.com e.U
Sonntal 122, 9220 Velden
Phone:0043 4274 50127 Fax:50176
www.sports-systems.com office@hmg.at
© 2011